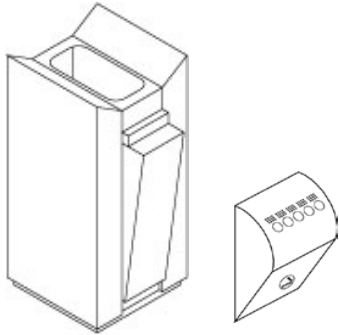




# Windsor with Ash Urn



Ash Urn Option Extra



Model	Dimensions	Gal.	Wt.
T2SX3TEHPC Powder Coat	15 "W x 15 "D x 40 "H 14 gallons	14	78 lbs.
T2X3TEHPF Perforated powder coat panels	15 "W x 15 "D x 40 "H 14 gallons	14	78 lbs.
T2SXTEHSP SS Front & rear panels powder coat accents	15 "W x 15 "D x 40 "H 14 gallons	14	78 lbs.
T2SX3TEHAS All Stainless Steel	15 "W x 15 "D x 40 "H 14 gallons	14	78 lbs.

## T2 Site Amenities

1805 Spruce Ave.  
Highland Park, IL 60035

Phone: 847-579-9003  
E-mail: lori@t2-sa.com  
www.t2-sa.com



Windsor with Ash Stack are commercial waste bins that are built for high-use applications indoors and out, and maintenance friendly.

Windsor Series units come standard with floor fastening hardware, locks and comply with the Americans with Disabilities Act.

Windsor Series waste and recycling bins are designed for public spaces in transportation, justice, higher government, education and healthcare facilities, corporate buildings and malls.