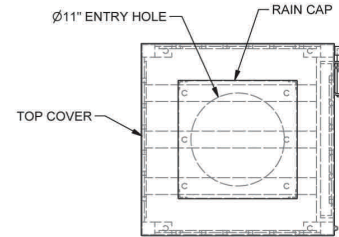
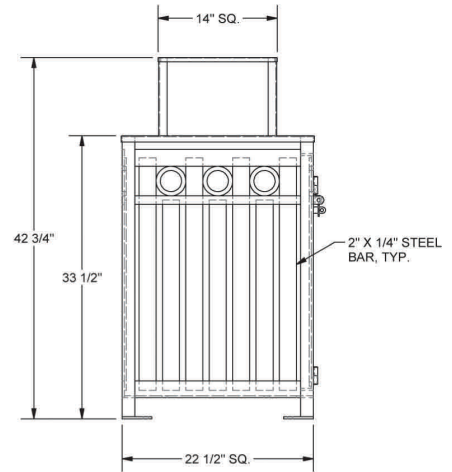




# Oakleaf Square



TOP VIEW



SIDE ELEVATION

## Product Features

- Made from 1/8" X 2" galvanized steel slats
- 3" decorative rings
- Square rain cap
- Door opens to the left for easy liner retrieval
- TGIC Polyester powder coat finish
- Comes standard with the following:
  - Black high density polyurethane rigid plastic liner
  - Anchor kit to secure to ground
  - Available in PMS: Black = PMS # BLACK #6C , Brown = PMS # 462C, or Green = PMS # 364C
  - Custom colors available upon request

Item Number	Capacity	Dimensions	Weight	Finishes
M36SQ	36 gallons	22 1/2"W x 42 3/4"H w/ lid	160 lbs	Black (BK), Green (GN), Brown (BN)



**T2 Site Amenities**  
 PH: 847-579-9003  
[www.t2-sa.com](http://www.t2-sa.com)  
[info@t2-sa.com](mailto:info@t2-sa.com)