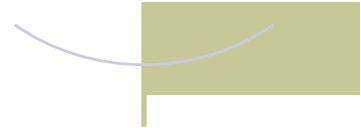




Copley Plaza



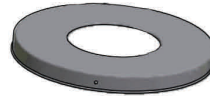
Dome Top (DT) Lid Option



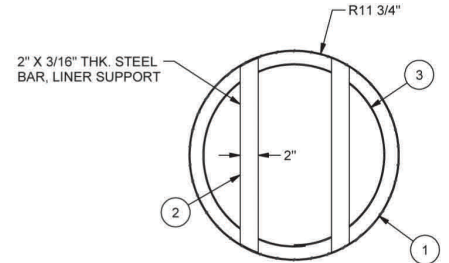
Rain Cap (RC) Lid Option



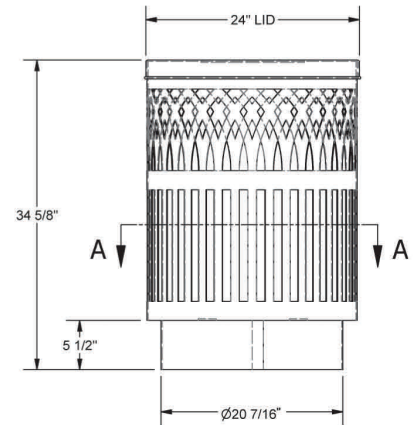
Ash & Trash (AT) Lid Option



Flat Top (FT) Lid Option



**SECTION A-A
SCALE 1/12**



ELEVATION VIEW

Product Features

- Sleek victorian design
- Made from 10 gauge galvneal steel
- Four lid options
- (4) Stainless Steel leveling feet with a welded 3/8" dia. threaded shaft
- TGIC Polyester powder coat finish
- Comes standard with the following:
 - Black high density polyurethane rigid plastic liner
 - Encapsulated cable to keep lid secure to unit
 - Anchor kit to secure to ground
 - Available in PMS: Black = PMS # BLACK #6C , Brown = PMS # 462C, or Green = PMS # 364C
 - Custom colors available upon request

Item Number	Capacity	Dimensions	Weight	Finishes
WC40	45 gallons	23 1/2" dia x 40" high		Black (BK), Green (GN), Brown (BN)



1805 Spruce Ave.
 Highland Park, IL 60035
 PH: 837-579-9003
 FAX: 847-579-9006
 www.t2-sa.com
 info@t2-sa.com